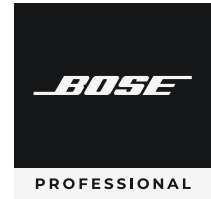


TECHNICAL DATA

Videobar VB-S

all-in-one USB conferencing device


Product Overview

The Videobar VB-S is a compact, all-in-one USB videoconferencing device that brings signature Bose Professional sound and quality to your meeting space. With plug-and-play simplicity, it's quick and easy to set up and use—no more videoconferencing hardware headaches.

In small meeting spaces, the VB-S ensures voices on the call sound natural, while multimedia presentations and Bluetooth® audio are rich and engaging. It automatically focuses on voices in the room and reduces unwanted noise; plus, a 4K ultra-HD camera delivers sharp video, helping remote participants feel like they're in the room.

Its sleek, low-profile design adds to the professional look of any meeting space. Connect the VB-S to a computer, and it creates a complete videoconferencing solution for hosting professional-quality meetings using Google Meet, Microsoft Teams, Zoom and more.

The VB-S is the videoconferencing solution that's simple to set up, easy to use, and delivers a high-quality meeting experience—every time.

Key Features

Bring the quality and reliability of Bose Professional to small meeting spaces with an all-in-one USB videoconferencing solution that installs quickly and easily to deliver premium audio and video performance

Signature Bose Professional audio featuring a beam-forming array of four microphones making conversation sound more natural by actively focusing on voices; exclusion zones that help reduce unwanted noise; and auto EQ delivering optimized audio to all participants

Simple mounting options included to facilitate tabletop or wall placement, with available display mounting kit (sold separately)

4K ultra-HD camera with 5x digital zoom and a wide field of view helps meeting participants connect visually more effectively

Two autoframing modes: Group Mode frames all in-room participants ensuring that no one is left out of the conversation. **Individual Mode** frames and dynamically follows a single person

Compatible with Google Meet, Microsoft Teams, Zoom and more, bringing the Bose Professional experience to popular Unified Communications platforms

Elegant, sturdy, low-profile design made possible by renowned Bose Professional engineering, allows loudspeaker, microphones, and electronics to be housed closely together while delivering stunning performance without interference or sacrificing stability

Simple configuration software allows comprehensive control – Videobar Configuration (VBC) software for easy setup, customized settings, and firmware updates

Videobar Mobile app for real-time VB-S control via smartphone; easily adjust volume, mute, pan, tilt, zoom, preset controls, and Bluetooth pairing

Bluetooth connectivity to bridge calls or stream music

Connects to existing wireless network infrastructure, making installation faster and allowing remote updates, management, and monitoring via Videobar Administration (VBA) software

For additional specifications and application information, please visit [BOSEPROFESSIONAL.COM](https://www.boseprofessional.com). Specifications subject to change without notice. 06/08/2023

TECHNICAL DATA

Videobar VB-S

all-in-one USB conferencing device

Technical Specifications

| LOUDSPEAKER | |
|----------------------------------|--|
| Configuration | Mono loudspeaker, ported enclosure |
| Amplifier Power | 15 W < 0.3% distortion over frequency range |
| Frequency Response (-10 dB) | 90 - 20,000 Hz |
| Maximum SPL @ 1 m | 86 dB (IEC 60268-5, mono input, wall-mounted) |
| MICROPHONE ARRAY | |
| Configuration | 4 microphones |
| Frequency Response (± 3 dB) | 20 - 15,000 Hz |
| Pickup Range | 4.0 m (13.1 ft) |
| Technology | Static and adaptive dynamic beam-forming, 3 exclusion zones, acoustic echo cancellation (AEC), digital noise suppression |
| CAMERA AND VIDEO | |
| Field of View (FOV) | 123° diagonal \times 115° horizontal \times 81° vertical |
| Image Sensor | 8 MP |
| Focus Distance | 0.5 m (1.6 ft) to ∞ |
| Lens | Up to 5x digital zoom, integrated camera privacy cover |
| Positioning | 2 autoframing modes (Group or Individual) or digital pan-tilt-zoom (PTZ) with 3 configurable presets (Home, 1, 2) |
| Processing | Automatic white balance, automatic brightness, digital noise reduction |
| USB Device Video Class (UVC) | v1.1 |
| Supported Video Resolutions | UHD 2160p (4K) ¹ , 1080p, 720p, 960 \times 480, 848 \times 480, 640 \times 480, 640 \times 360, 432 \times 240 (30 fps) |
| Video Encoding | H.264, M-JPEG |
| CONNECTIONS | |
| USB | USB Type-C [®] to host computer (USB 3.0 UAC, UVC, HID) |
| Network | Wi-Fi 802.11ac (wireless) |
| Bluetooth | Bluetooth 4.2 HSP, A2DP, AVRCP, BLE |
| Power | Via external power supply with localized power cord (included) Input: 110–240 VAC, 50/60 Hz, 1.5 A max. Output: 24 VDC, 1.875 A |
| SOFTWARE APPLICATIONS | |
| Control/Configuration | Videobar Configuration (available for Windows and macOS or via web browser) Videobar Administration software (available for Windows) Videobar Mobile app (available for iOS and Android) |
| SYSTEM REQUIREMENTS | |
| Operating System | Windows 8.1 or higher MacOS 10.10 or higher Chrome OS (Google Chromebook) |

1. UHD 2160p (4K) video resolution requires a USB 3.0 cable (not included).

TECHNICAL DATA

Videobar VB-S

all-in-one USB conferencing device

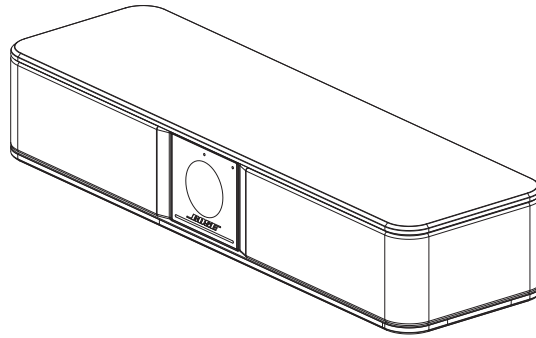
| REGULATORY | |
|--|--|
| Safety | IEC/UL/EN 60065:2014/A11:2017, IEC/UL/EN 62368-1:2014/A11:2017 |
| EMC | FCC Part 15B Class B, ICES-003 Class B, CISPR 13, EN55032 Class B, EN55035, EN61000-3-2, EN61000-3-3, BSMI CNS13439 |
| Wi-Fi and Bluetooth | FCC Part 15C, RSS-GEN, RSS-247, RSS-102, EN300328, EN301893, EN301489 |
| Environmental | RoHS |
| PHYSICAL | |
| Operating Temperature | 0 °C to 40 °C (32 °F to 104 °F), 90% non-condensing humidity |
| Storage Temperature | -40 °C to 70 °C (-40 °F to 158 °F), 93% relative humidity |
| Mounting | Table stand with hardware (included) Mounting bracket with hardware (included) Display mounting kit (optional) Mud ring (optional) |
| Product Dimensions (Width × Height × Depth) | 267 mm × 48 mm × 87 mm (10.5 in × 1.9 in × 3.4 in) |
| Net Weight | 1.0 kg (2.1 lb) |
| Shipping Weight | 2.3 kg (5.1 lb) |
| Included Accessories | USB-C-to-A 2.0 cable, 5.0 m (16.5 ft) USB-A-to-C adapter Table stand with hardware Mounting bracket with hardware Hex key Infrared remote control with 2 AAA batteries Power supply with localized power cord Cable management kit with mounting hardware Quick start guide, wall-mount setup guide, safety instructions |
| Optional Accessories | Display mounting kit Mud ring |
| PRODUCT CODES | |
| 868751-1110 | Videobar VB-S, 120V US |
| 868751-2110 | Videobar VB-S, 230V EU |
| 868751-2120 | Videobar VB-S, 230V UK |
| 868751-3140 | Videobar VB-S, 100V JP |
| 868751-5110 | Videobar VB-S, 240V AU |
| 868751-2130 | Videobar VB-S, 230V IN |
| 868750-0100 | Videobar VB-S, no cord, CN |
| 869196-0010 | Videobar Display Mounting Kit |
| 861846-0010 | Videobar Mud Ring |

TECHNICAL DATA

Videobar VB-S

all-in-one USB conferencing device

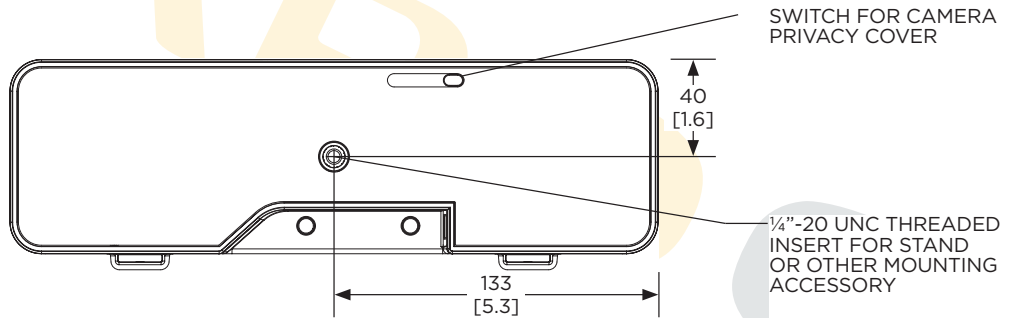
Dimensions ^{2 3}



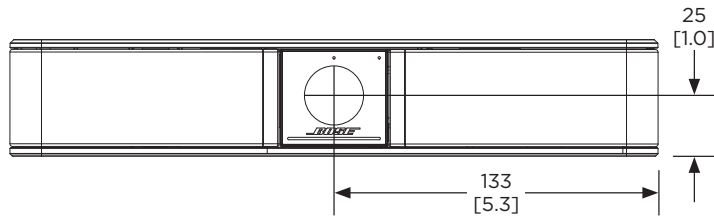
Top View



Bottom View



Front View



- 2. DIMENSIONS ARE SHOWN IN MILLIMETERS OVER INCHES.
- 3. WEIGHT IS APPROX. 1.0 KG (2.1 LB) (BOSE VIDEOBAR ONLY).

Bose is a trademark of Bose Corporation. Videobar is a trademark of Transom Post OpCo LLC. Android, Chrome, Chromebook, Hangouts and other marks are trademarks of Google LLC. The *Bluetooth*® word mark and logos are registered trademarks owned by Bluetooth SIG, Inc. and any use of such marks by Bose Professional Corporation is under license. DisplayLink® is the registered trademark of DisplayLink Corp. in the EU, the US, and other countries. The terms HDMI and HDMI High-Definition Multimedia Interface, and the HDMI logo are trademarks or registered trademarks of HDMI Licensing Administrator, Inc. macOS is a trademark of Apple Inc. USB Type-C® and USB-C® are registered trademarks of USB Implementers Forum and are only intended for use with products based on and compliant with the USB Type-C® cable and connector specification. Wi-Fi is a registered trademark of Wi-Fi Alliance®. Zoom is a trademark of Zoom Video Communications, Inc. All other trademarks are the property of their respective owners.

For additional specifications and application information, please visit BOSEPROFESSIONAL.COM. Specifications subject to change without notice. 06/08/2023